

Chevy LS3 Race Series SFD58 Tapered Throttle body kit



Brand: Jenvey

Product Code: CKCT03

Availability: 7 Days

Weight: 4.00kg

Dimensions: 60.00cm x 50.00cm x
30.00cm

Price: \$8,350.00

Short Description

The ideal choice for atmo circuit and race LS3 engines.

Description

This ITB kit boosts mid range and top end torque and power while providing awesome throttle response. The tapered throttle bodies help boost mid range torque while providing plenty of maximum airflow for great top end performance.

This kit is for the Generation IV engine family including the LS3, L76 and L98 engines.

Chevrolet LS3 ITB throttle body kit from Jenvey Dynamics includes

- Eight SFD58/45/0 taper throttle bodies with a solid linkage
- Two EFI inlet manifolds
- Two fuel rails
- Eight 20mm long airhorns.

Jenvey throttle bodies and all Jenvey throttle body accessories are engineered

for Motorsport, offering excellent performance, reliability, lightness and value.

This kit is ideal for road, track or rally use.

Kit contents

Jenvey Manifold (CT01)

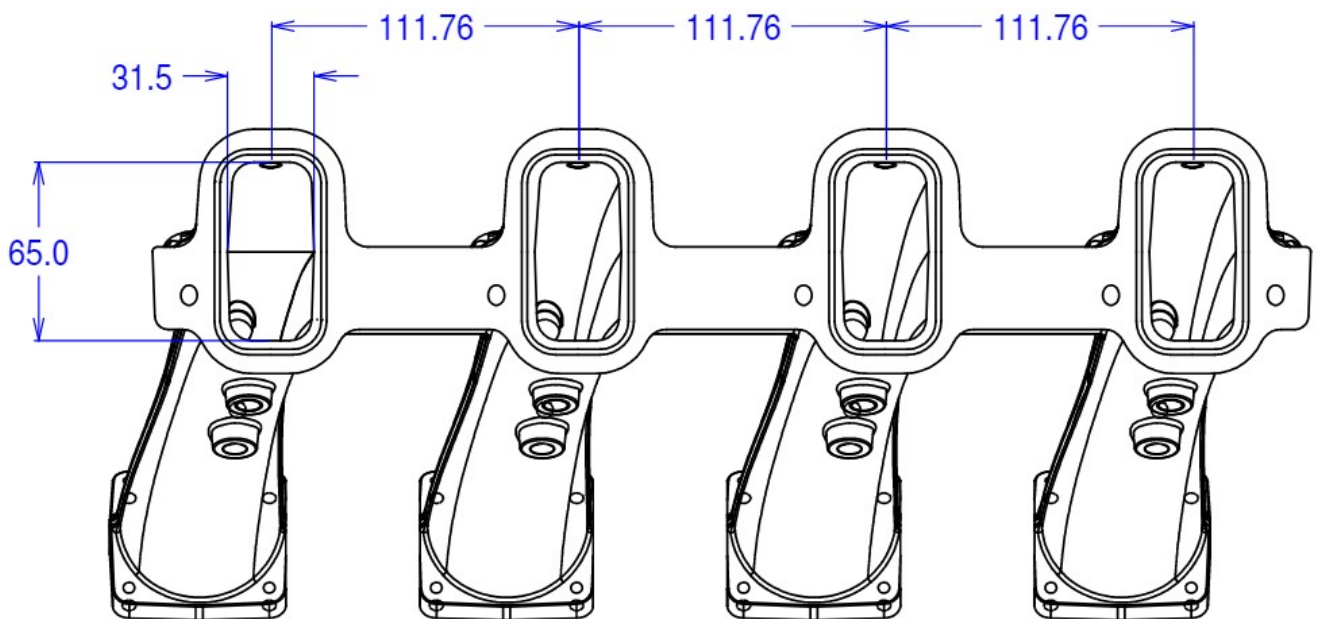
Eight SFD58 race series tapered throttle bodies

Eight 20mm long aluminum trumpets

Linkages

Fuel Rails (Suits Bosch std length injectors)

Drawings



Specification

Make	
General Motors	LS7