

# Chevy LS1 Race Series SFD52 Throttle body kit



**Brand:** Jenvey  
**Product Code:** CKCT01  
**Availability:** In Stock  
**Weight:** 12.00kg  
**Dimensions:** 60.00cm x 50.00cm x  
30.00cm

**Price: \$7,450.00**

## Short Description

The ideal choice for atmo circuit and race LS1 engines. This ITB kit boosts mid range and top end torque and power while providing

## Description

Chevrolet LS1 and LS6 ITB throttle body kit from Jenvey Dynamics includes

- Eight SFD52/0/0 throttle bodies with an operating wheel linkage,
- Two EFI inlet manifolds
- Two fuel rails
- Eight 60mm long airhorns.

This is for the LS1LS6 "cathedral port" engine from the Generation III family.

## Kit contents

Jenvey Manifold (CT01)

Eight SFD52 race throttle bodies

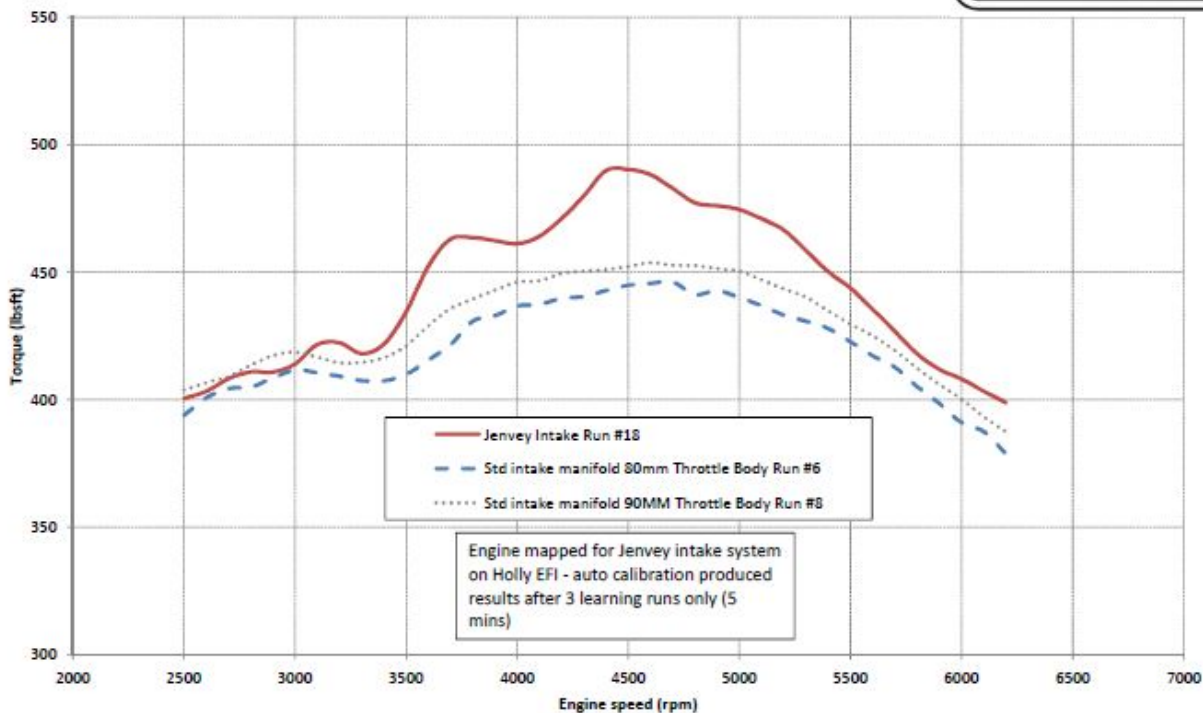
Eight 60mm long aluminum trumpets

Linkages

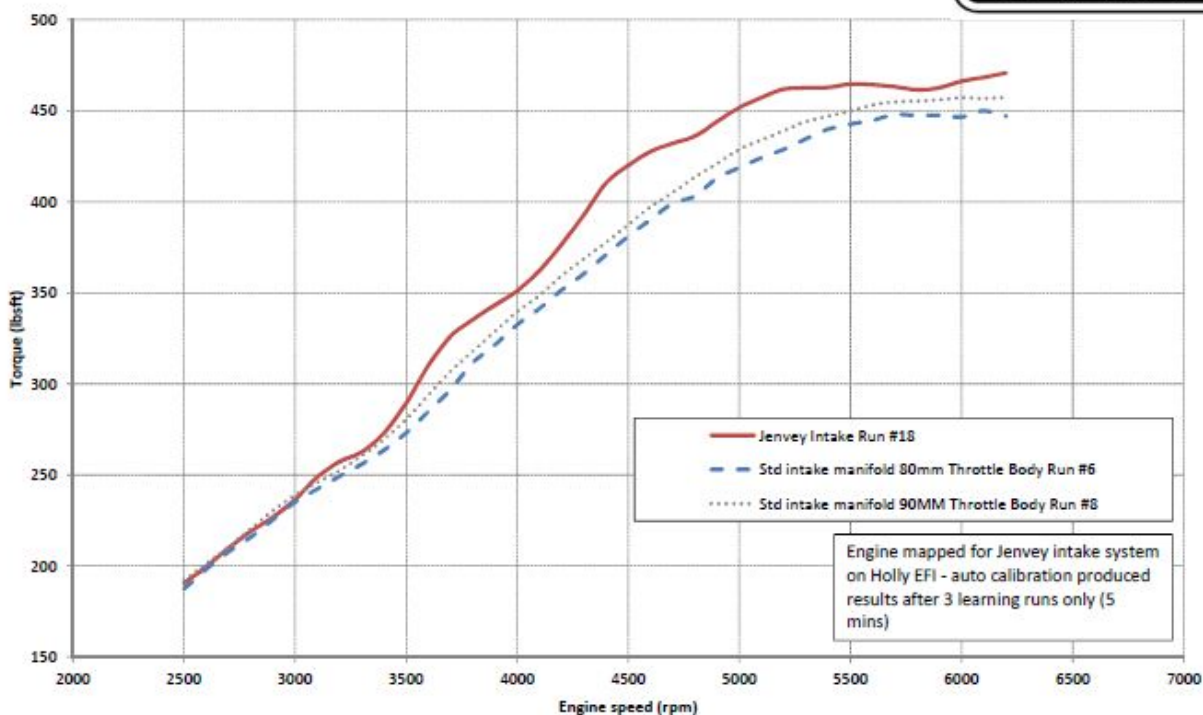
Fuel Rails (Suits Bosch std length injectors)

**Dyno graphs**

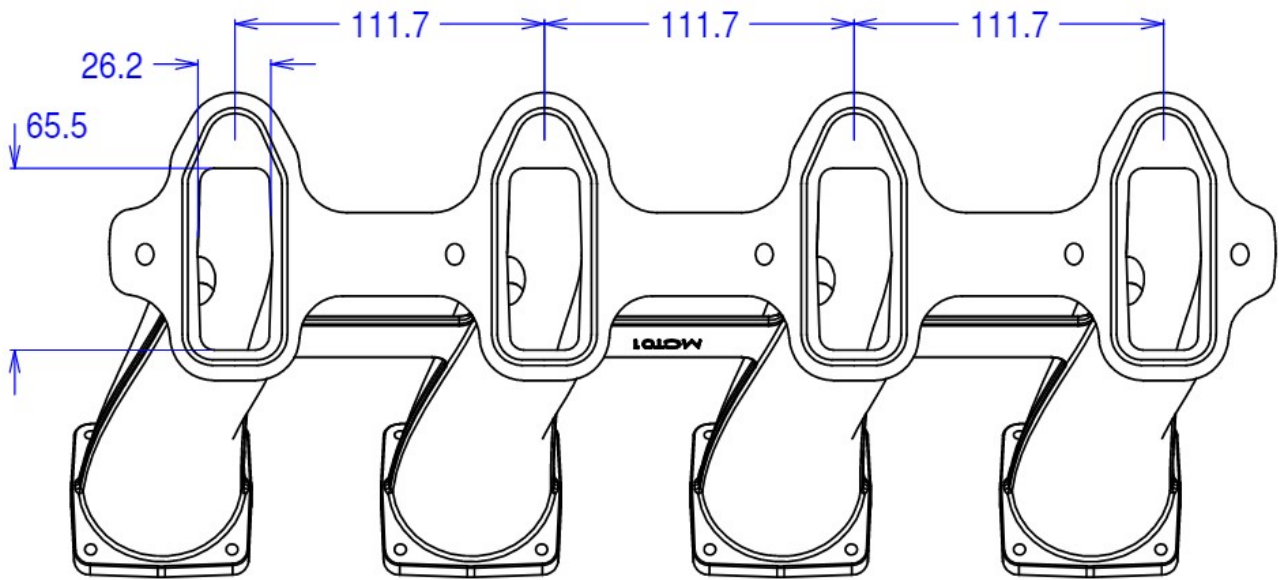
Stock 2005 LS2 engine results



Stock 2005 LS2 engine results



## Drawings



## Specification

Make	
General Motors	LS6
General Motors	LS1
General Motors	LS2