

# Magneti Marelli Racing Plug Top Coil BAE403D

**Brand:** Magneti Marelli  
**Product Code:** BAE403D  
**Availability:** In Stock  
**Weight:** 0.10kg  
**Dimensions:** 15.00cm x 10.00cm x 5.00cm

**Price: \$127.50**

## Short Description

The BAE403 is a high powered inductive ignition coil with sub compact dimensions particularly suitable for static ignition of multi cylinder engines. The small dimensions allow mounting directly to the cylinder head thus eliminating the need for HT leads.

## Description

### Description

A high power inductive ignition coil with sub compact dimensions particularly suitable for static ignition of multi-cylinder engines.

The small dimensions allow direct mounting in the cylinder head thus eliminating the need for H.V. leads.

[Contact us](#) for the design of different plug positions and suitable ignition drivers.

## Main Features

- Modular design
- Different plug position possible
- Different plug diameters possible
- Possibility to choice all combination between coil head and rubber part

## Benefits

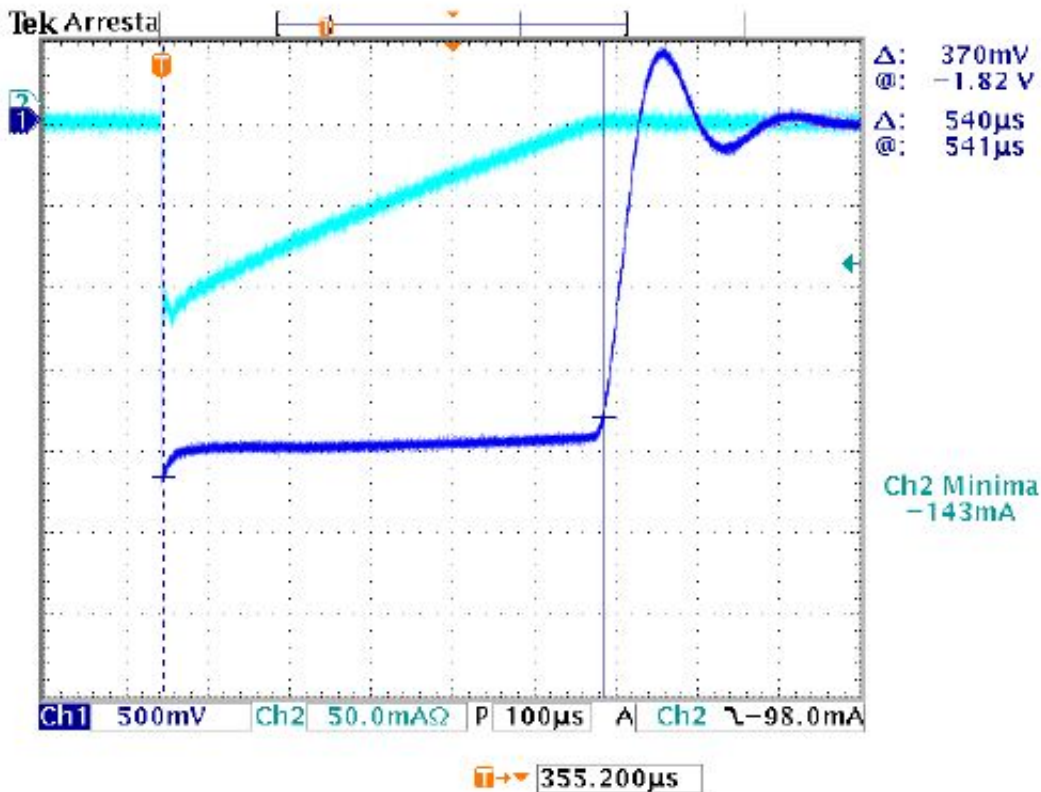
- Small dimensions
- Low weight
- Low cost

## Typical Applications

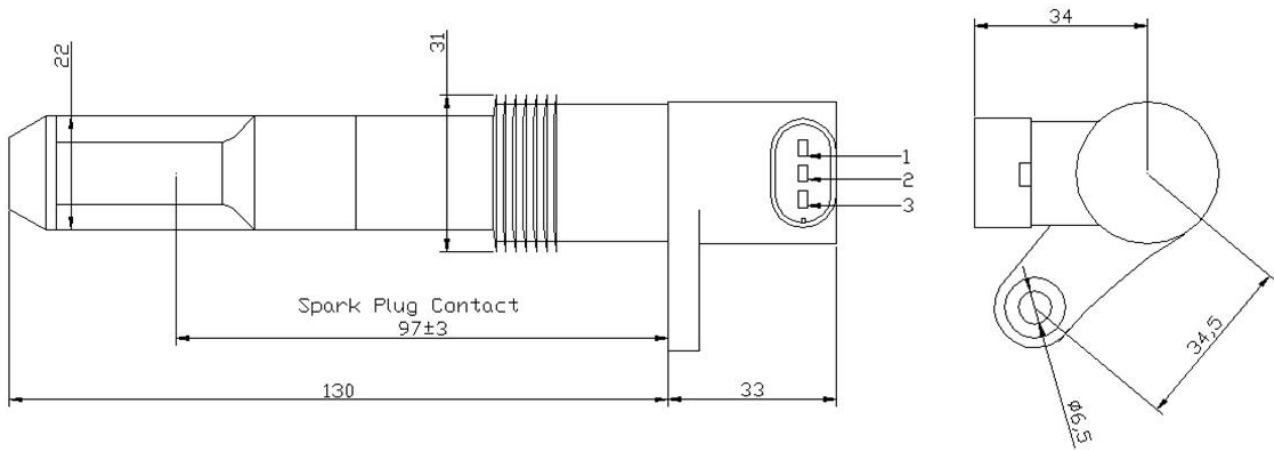
Atmospheric and forced induction engines  
F3 - IRL – GT - Rally

## Technical Characteristics

Nominal supply voltage.....	13.5 V
Charge current .....	9 A
Dwell .....	1.4 ms
Rise time .....	< 7.5 $\mu$ s
Sec. Voltage (1 M $\Omega$ +20 pF load) .....	30 kV
Spark duration.....	450 $\mu$ s
Spark current .....	120 mA
Combustion energy.....	54 mJ
Weight.....	180 g



## Technical Drawings



## Wiring and Installation

Pin	Function	Wire
1	Ignition Command	20AWG
2	Ground	20AWG
3	Power	20AWG

Connector Housing: AMP284425-1

Terminals:AMP929027-1 (20-24AWG)

These coils require an ECU which can directly drive a coil (Marelli SRAE/SRTE/MARVEL) or an external ignitor or CDI module for operation