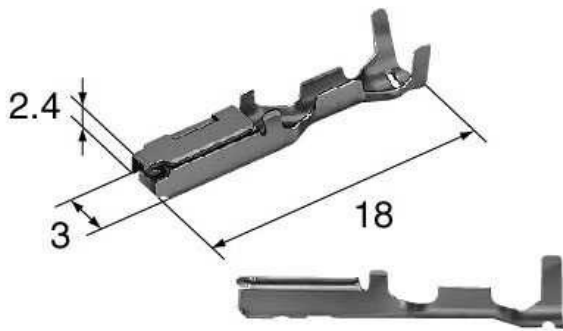


# Sumitomo DL/TL/SL Series Female Terminal 16-14AWG



**Brand:** Sumitomo  
**Product Code:** SUM8100-1428  
**Availability:** 7 Days  
**Weight:** 0.01kg  
**Dimensions:** 1.00cm x 1.00cm x 1.00cm

**Price: \$0.50**

100 or more \$0.39

## Short Description

Heat resistant copper alloy with tin plating female terminal. Suits 22 or 20AWG M22759 type wire and AV type automotive wire.

## Description

Heat resistant copper alloy with tin plating female terminal. Suits 22 or 20AWG M22759 type wire and AV type automotive wire.

Sealed/Unsealed	sealed
Male/Female	F
Tab Size	2.3mm(090)
Size	L
Mating parts	8230-4552(DL sealed series/HX sealed series/TL sealed series/SL sealed series)
Applicable wire size	1.25-2.0mm <sup>2</sup>
Materials	Heat-resistant copper alloy
Surface treatment	Tin-plated

Contact resistance

Initial 3m $\Omega$  Max.  
after durability tests  
10m $\Omega$  Max.

Leak current

100 $\mu$ A Max.

Insulation resistance

100M $\Omega$  Min.